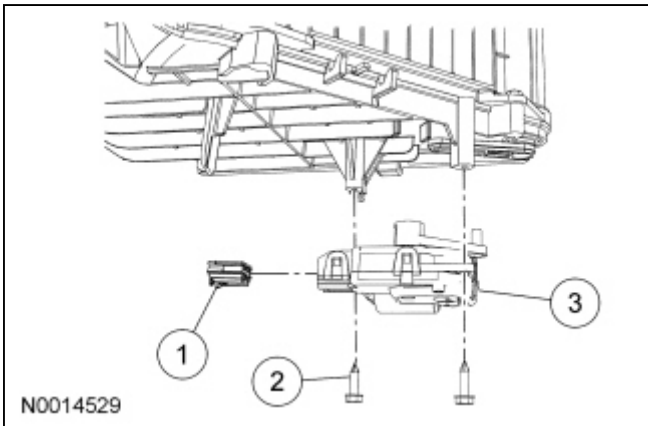


Mode Door Actuator — Air Inlet Door



Item	Part Number	Description
1	—	Air inlet mode door actuator electrical connector (part of 18B574)
2	W701696	Air inlet mode door actuator screw (2 required)
3	19E616	Air inlet mode door actuator

Removal and Installation

1. Lower the glove compartment.
2. Disconnect the air inlet mode door actuator electrical connector.
3. Remove the 2 air inlet mode door actuator screws.
4. Remove the air inlet mode door actuator.
5. To install, reverse the removal procedure.

